

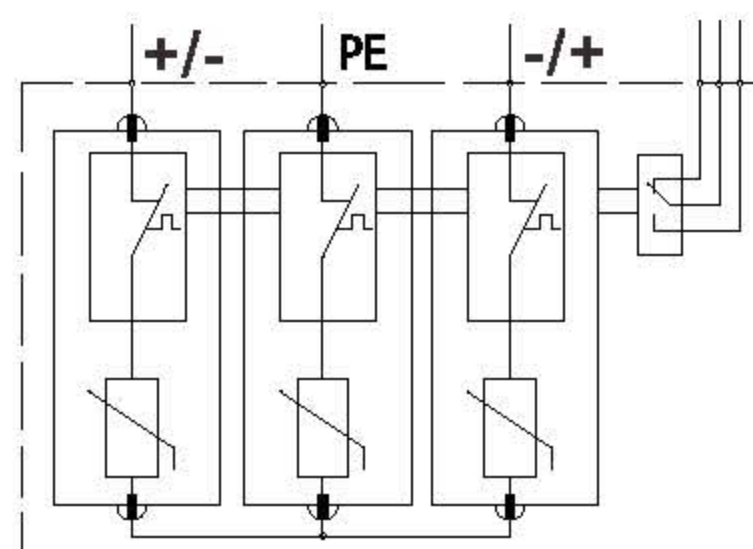
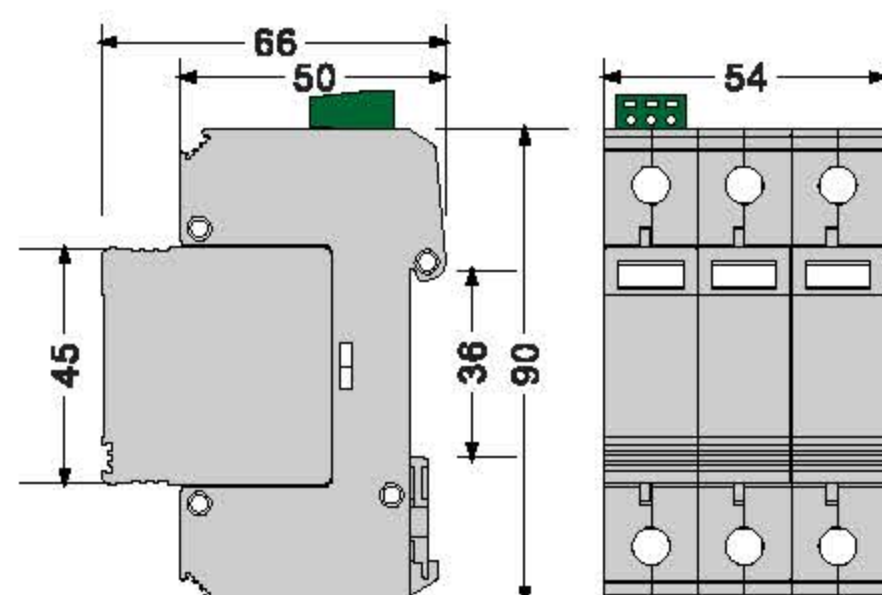
FV20C/3-****PVS

- ◆Category IEC / EN / VDE: Class II / Type 2 / C.
- ◆Location of use: Photovoltaic System DC side.
- ◆Protection modes: (+/-) - PE, (-/+) - PE
- ◆Protective elements: MOV, Y type
- ◆High surge discharge rating: $I_{max}=40kA$.
- ◆Complies with: IEC/EN 61643-11:2011
IEC/EN 50539-11
UTE C 61-740-51



Model NO.	FV20C/3-500PVS	FV20C/3-600PVS	FV20C/3-800PVS	FV20C/3-1000PVS	FV20C/3-1200PVS
Test Class According to IEC/EN50539-11&IEC/EN61643-11	Class II				
Nominal Voltage U_n	500Vdc	600Vdc	800Vdc	1000Vdc	1200Vdc
Max. Cont. Operation Voltage $U_{c, pv}$	560Vdc	670Vdc	825Vdc	1060Vdc	1420Vdc
Maximum Discharge Current(8/20 μ s) I_{max}	40kA				
Nominal Discharge Current (8/20 μ s) I_n	20kA				
Voltage Protective Level U_p (CM/DM)	<2.0kV	<2.4kV	<3.2kV	<3.4kV	<4.0kV
Response Time t_a	<25ns				
Recommended Back-up Fuse	125A				
Isolation Resistance	>10 ² M Ω				
I/O Connections	Multi-strand 4~25mm ² , Single-strand: 4~35mm ²				
Mounting	35mm, Symmetrical rail(EN50022/DIN46277-3)				
Operation Temperature Range	-40 $^{\circ}$ C~+85 $^{\circ}$ C				
Degree of Protection	IP20				
Housing Material	UL94V0				
Disconnection Indicator	Mechanical Indicator				
Remote Control Contact	Optional				

CM=Common mode(+/PE or -/PE) DM=Differential mode(+/-)



FV20C/2-***PVS

- ◆Category IEC / EN / VDE: Class II / Type 2 / C.
- ◆Location of use: Photovoltaic System DC side.
- ◆Protection modes: (+/-) - PE, (-/+) - PE
- ◆Protective elements: MOV, U type
- ◆High surge discharge rating: $I_{max}=40kA$.
- ◆Complies with: IEC/EN 61643-11:2011
IEC/EN 50539-11
UTE C 61-740-51



Model NO.	FV20C/2-48PVS	FV20C/2-96PVS	FV20C/2-150PVS	FV20C/2-500PVS	FV20C/2-600PVS	FV20C/2-800PVS	FV20C/2-1000PVS
Test Class According to IEC/EN50539-11&IEC/EN61643-11	Class II						
Nominal Voltage U_n	48Vdc	96Vdc	150Vdc	500Vdc	600Vdc	800Vdc	1000Vdc
Max. Cont. Operation Voltage $U_{c,pv}$	56Vdc	125Vdc	180Vdc	560Vdc	670Vdc	825Vdc	1060Vdc
Maximum Discharge Current(8/20 μ s) I_{max}	40kA						
Nominal Discharge Curren (8/20 μ s) I_n	20kA						
Voltage Protective Level U_p (CM/DM)	<0.6kV	<0.8kV	<1.0kV	<1.8kV	<2.2kV	<2.7kV	<3.2kV
Response Time t_A	<25ns						
Recommended Back-up Fuse	125A						
Isolation Resistance	>10 ² M Ω						
I/O Connections	Multi-strand 4~25mm ² , Single-strand: 4~35mm ²						
Mounting	35mm,Symmetrical rail(EN50022/DIN46277-3)						
Operation Temperature Range	-40 $^{\circ}$ C~+85 $^{\circ}$ C						
Degree of Protection	IP20						
Housing Material	UL94V0						
Disconnection Indicator	Mechanical Indicator						
Remote Control Contact	Optional						

CM=Common mode(+/PE or -/PE) DM=Differential mode(+/-)

